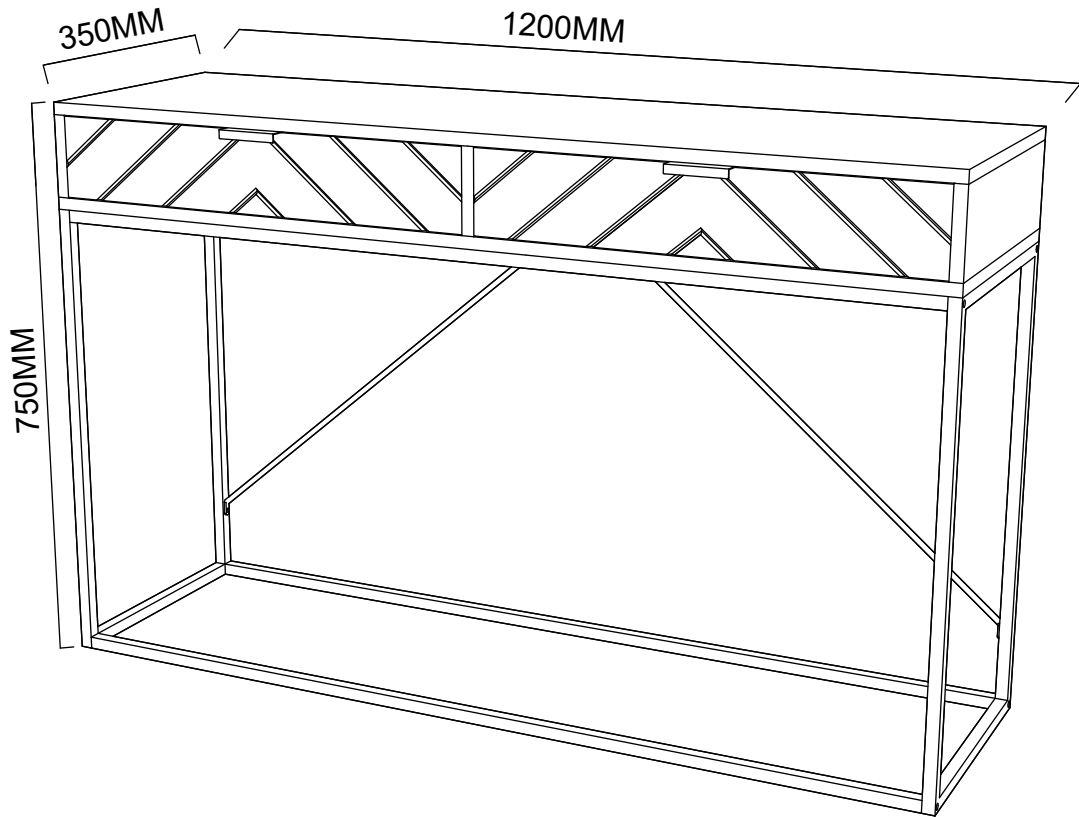


ASSEMBLY INSTRUCTION

HARDING

SOFA TABLE

ITEM CODE 74708


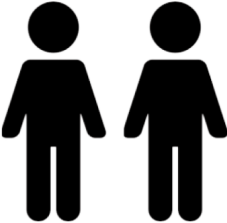
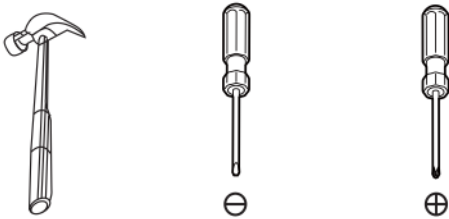


Imported by JWA Furniture Pty Ltd, Qld, Brisbane Australia.
For any assistance with assembly or for missing parts please refer to your receipt

PRE-ASSEMBLY PREPARATION

Before you start:

1. Choose a clean, level, spacious assembly area. Avoid hard surfaces that may damage the product
2. Take care when lifting. Product should be assembled as near as possible to the point of use
3. Ensure that you have all required contents for complete assembly
4. Always read the assembly instructions carefully before beginning assembly.
5. Keep all hardware parts and packaging out of reach of small children.
6. Do not over tighten the screws and bolts as this may damage the threads

		
Allow 1 hour	For 2 person	Additional tools required

TIPPING WARNING



Serious or fatal injuries may occur from furniture toppling over. To help avoid this please follow the below recommendations:

- Install the provided "Tipping Kit" as per the instructions
- Never allow children to climb on or hang off of any part of this product
- Unless specifically designed to accommodate, do not set TVs or other heavy objects on top of this product

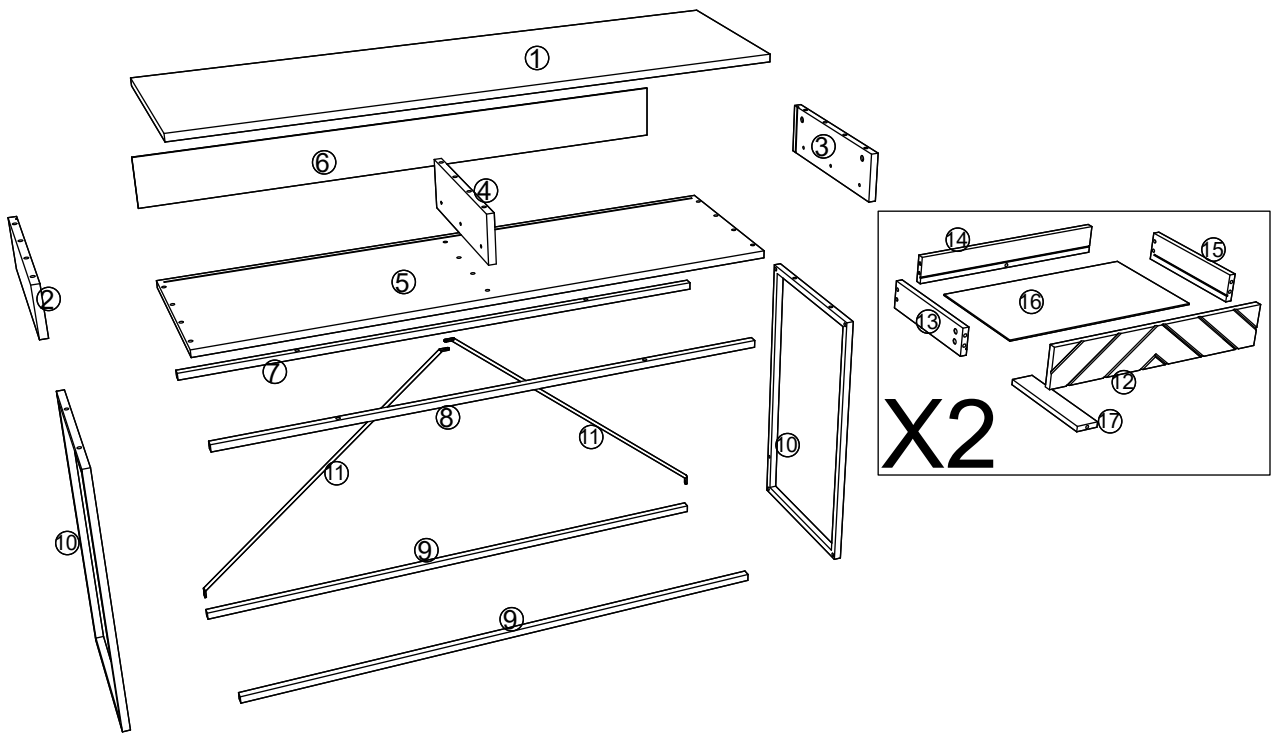
If this product has drawers:

- Place the heaviest items in lowest drawers
- Do not open more than 1 drawer at a time as this may cause the product to become unbalanced
- Do not tamper with or remove any drawer interlocking/running system


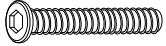







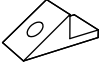





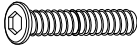



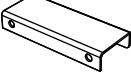
Note: The use of the provided "Tipping Kit" may reduce but not necessarily eliminate the risk of furniture toppling over. Please use this product with caution.

This is a permanent label. Do not attempt to remove!

PARTS LIST



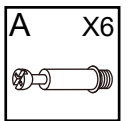
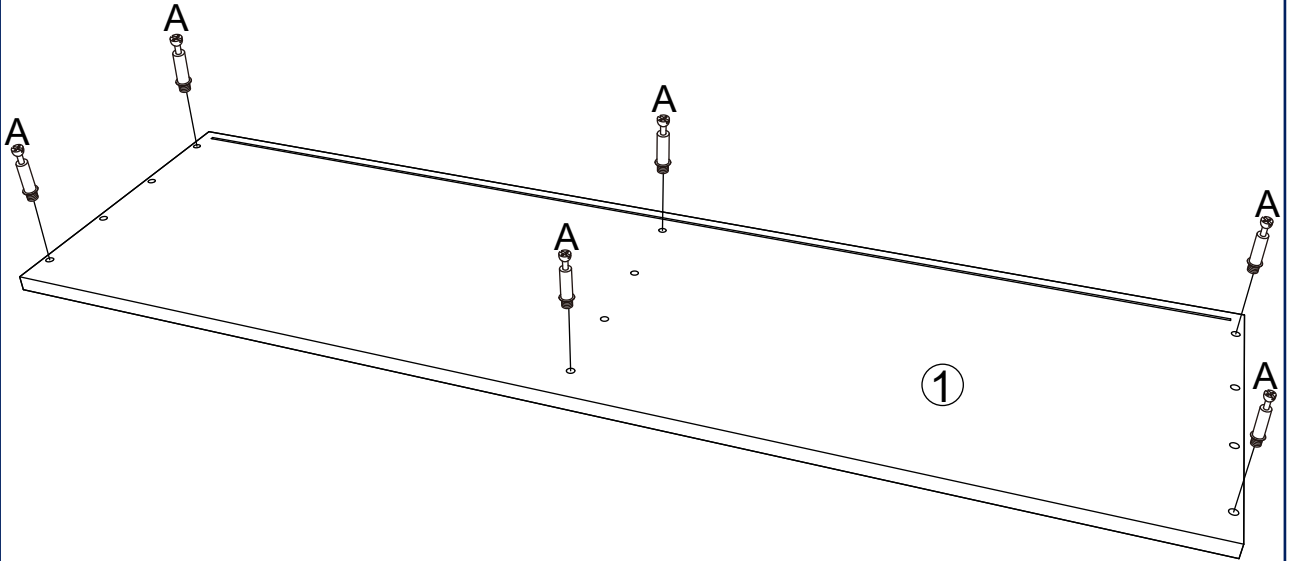
PARTS LIST

NO.	ITEM	QTY	NO.	ITEM	QTY
A	 Φ 6*35	16PCS	L	 Φ 6*30	8PCS
B	 Φ 15*10	16PCS	M		1PC
C	 Φ 6*30	12PCS	N	 Φ 3.5*12	4PCS
D	 Φ 4*40	6PCS	O	 Φ 5*30	8PCS
E		2PCS	P		6PCS
F	 Φ 3*12	24PCS	Q	 Φ 3*16	6PCS
G		2PCS	R		8PCS
H		2PCS	S	 Φ 6*12	3PCS
I		2PCS	T	 Φ 4*35	10PCS
J		2PCS			
K		2PCS			

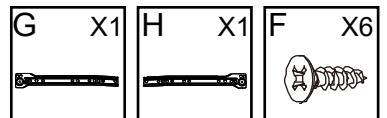
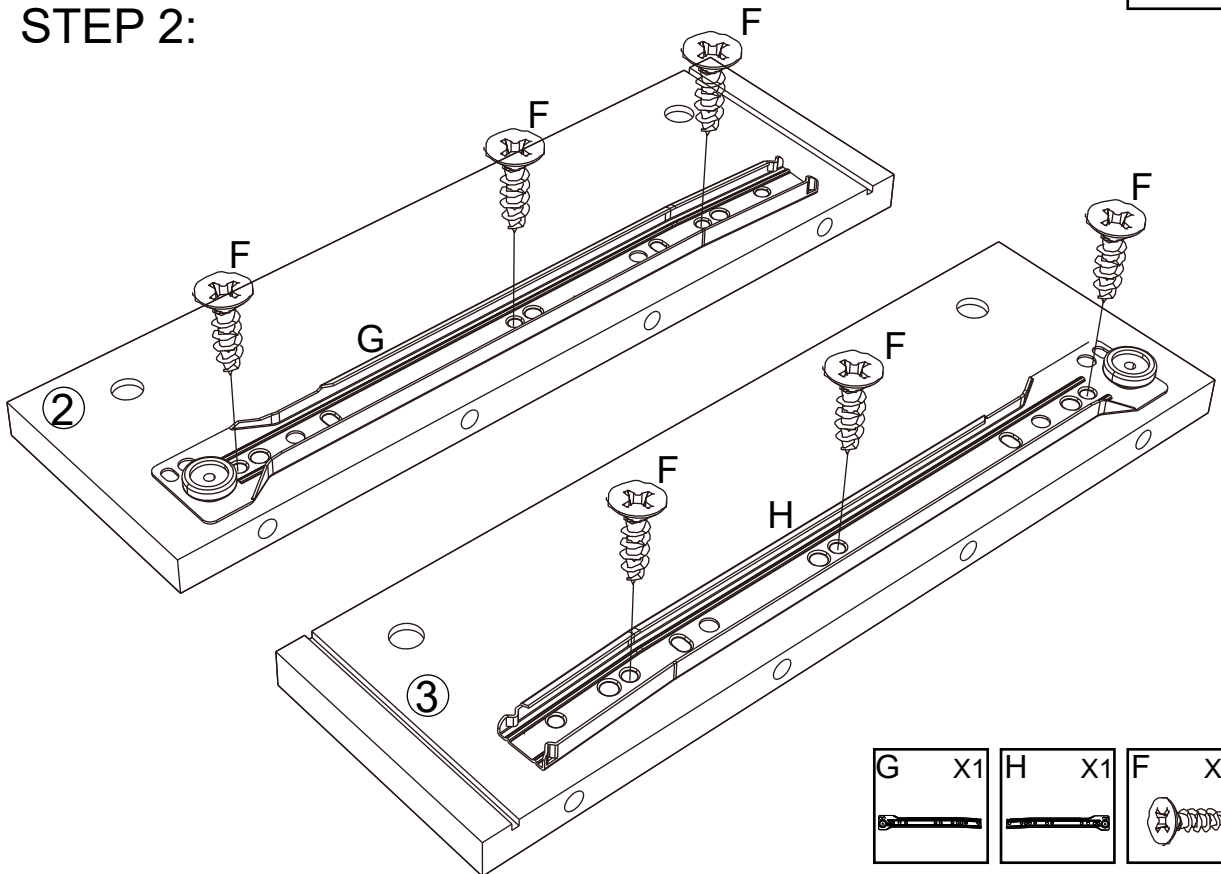
PARTS LIST

NO.	ITEM	QTY	NO.	ITEM	QTY
①	TOP PANEL	1 PC	⑩	METAL LEG	2 PCE
②	LEFT SIDE PANEL	1 PC	⑪	METAL LEG	2 PCE
③	RIGHT SIDE PANEL	1 PC	⑫	DRAWER FRONT PANEL	2 PCE
④	MIDDLE PANEL	1 PC	⑬	DRAWER LEFT SIDE PANEL	2 PCE
⑤	BOTTOM PANEL	1 PC	⑭	DRAWER BACK PANEL	2 PCE
⑥	BACK PANEL	1 PC	⑮	DRAWER RIGHT SIDE PANEL	2 PCE
⑦	METAL LEG	1 PC	⑯	DRAWER BOTTOM PANEL	2 PCE
⑧	METAL LEG	1 PC	⑰	DRAWER SUPPORT PANEL	2 PCE
⑨	METAL LEG	2 PCE			

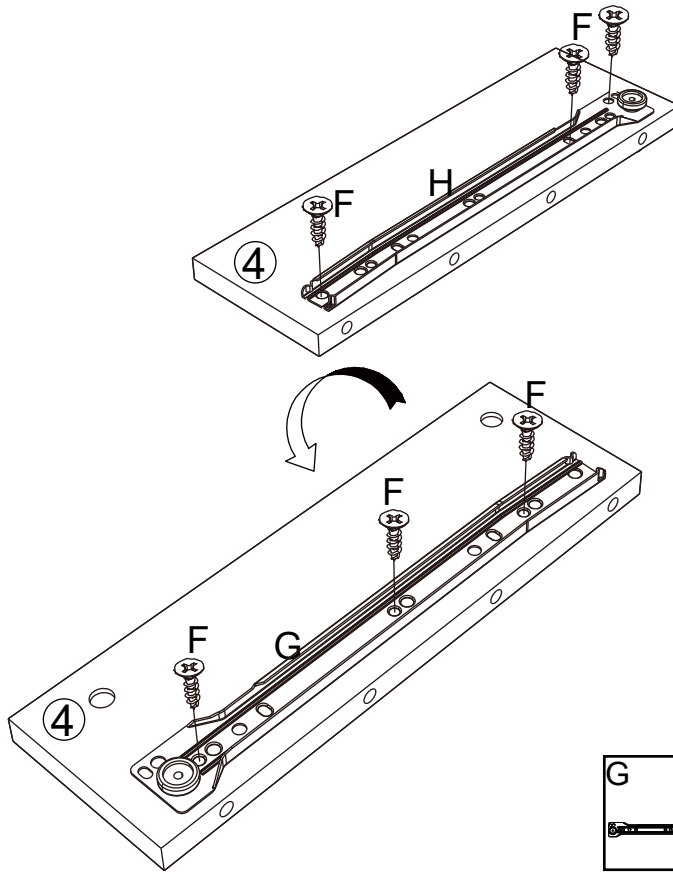
STEP 1:



STEP 2:

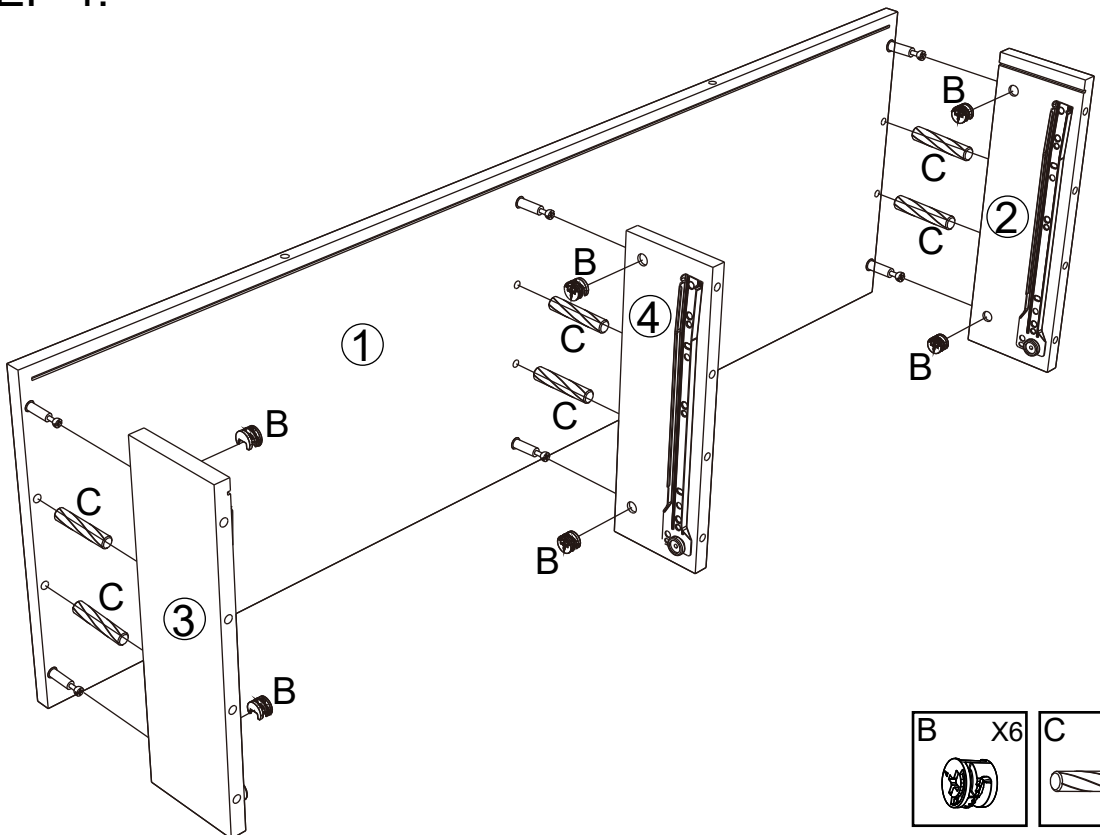


STEP 3:



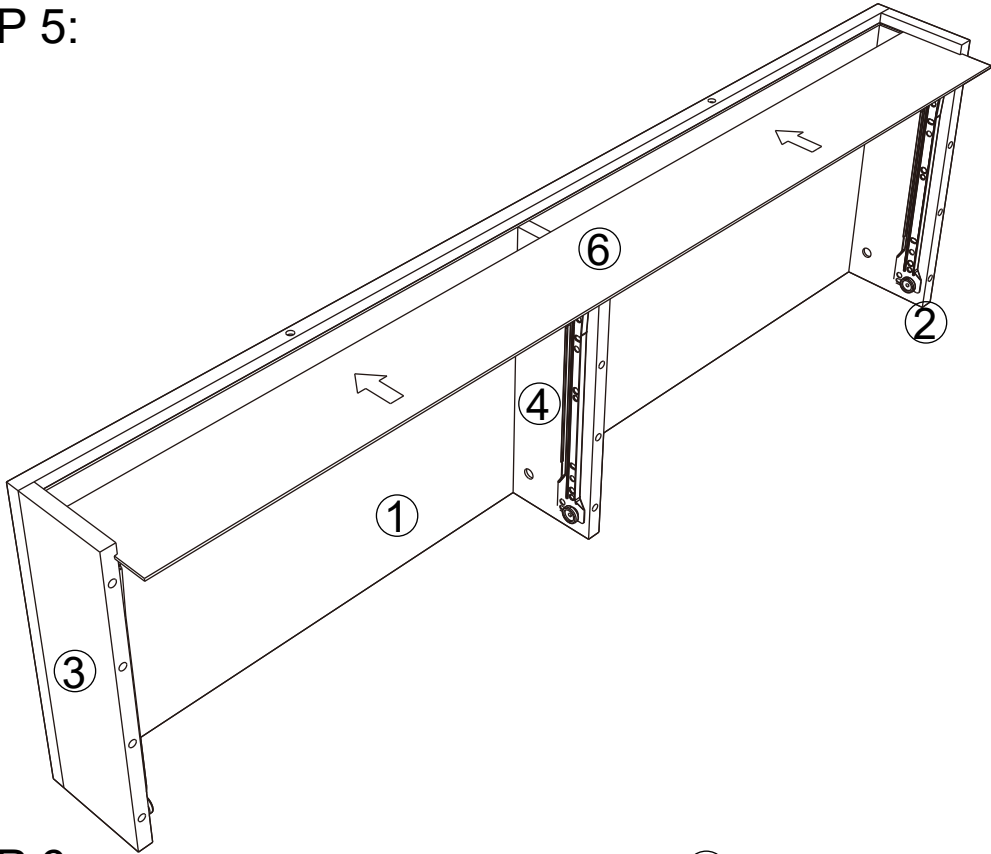
G X1	H X1	F X6

STEP 4:

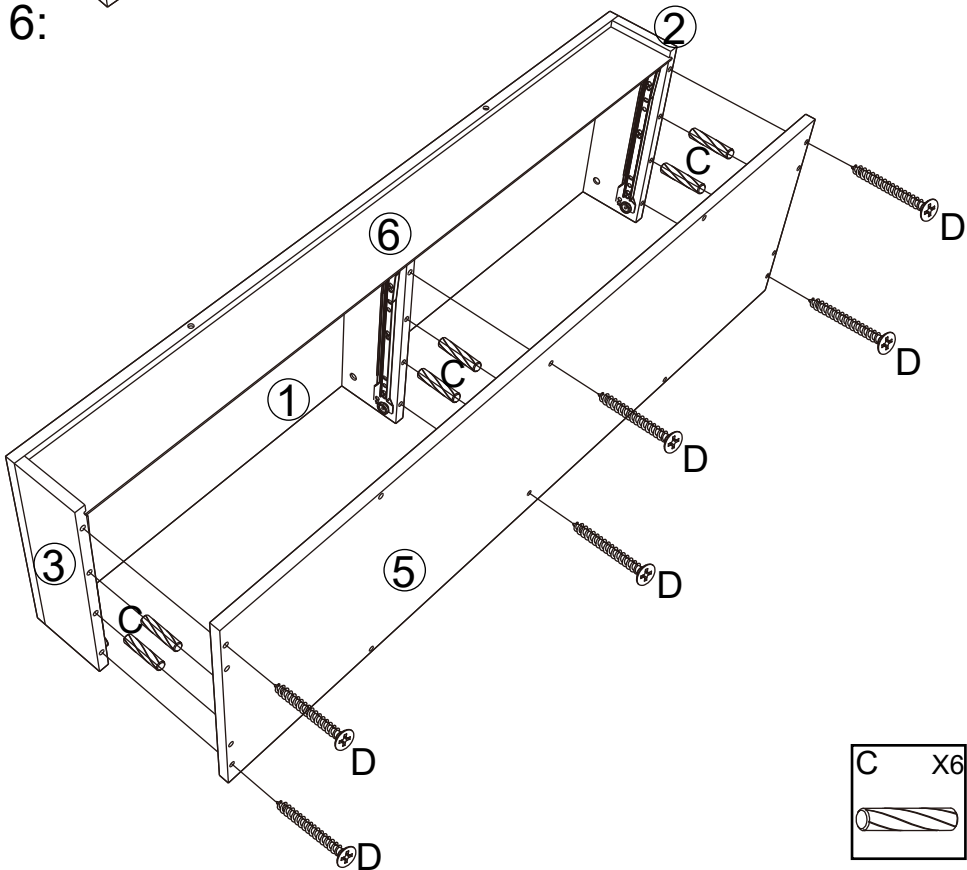




B X6	C X6

STEP 5:

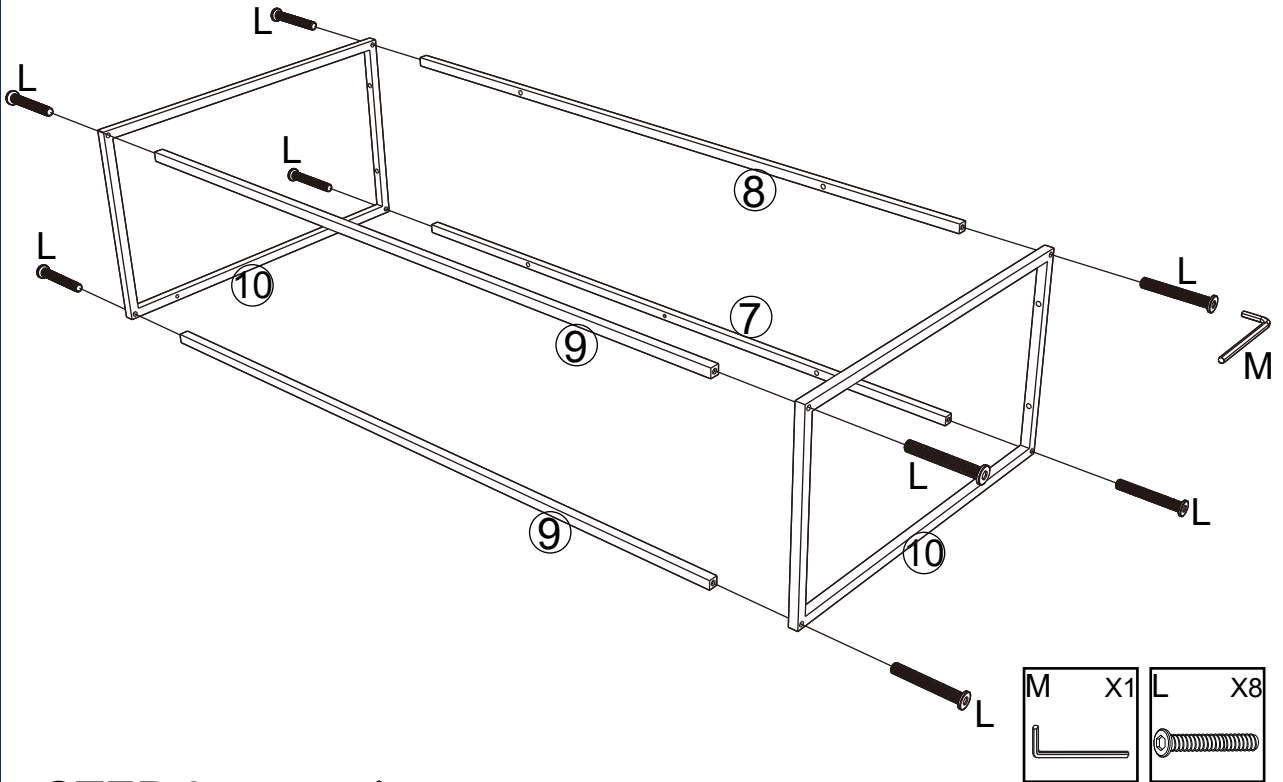


STEP 6:

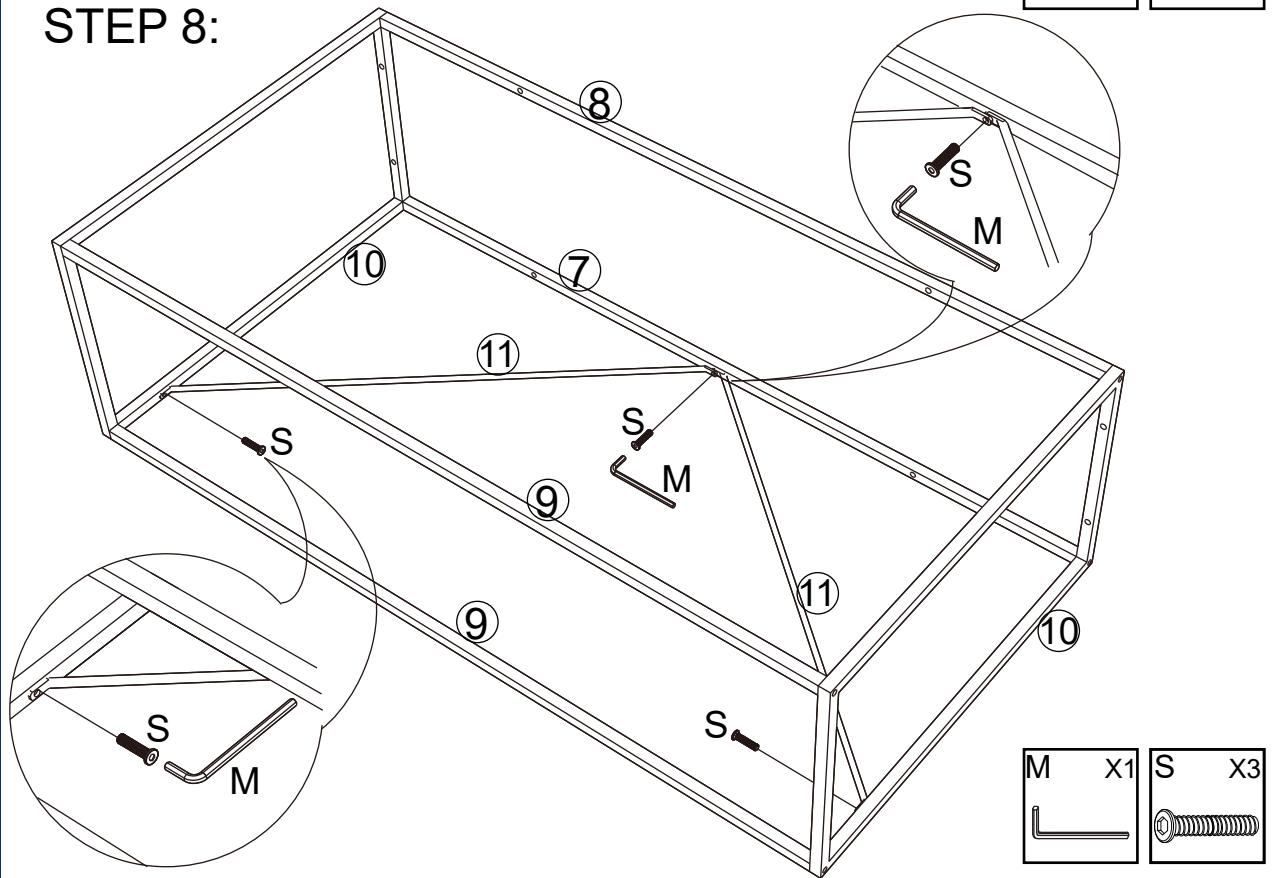


C	X6	D	X6
			

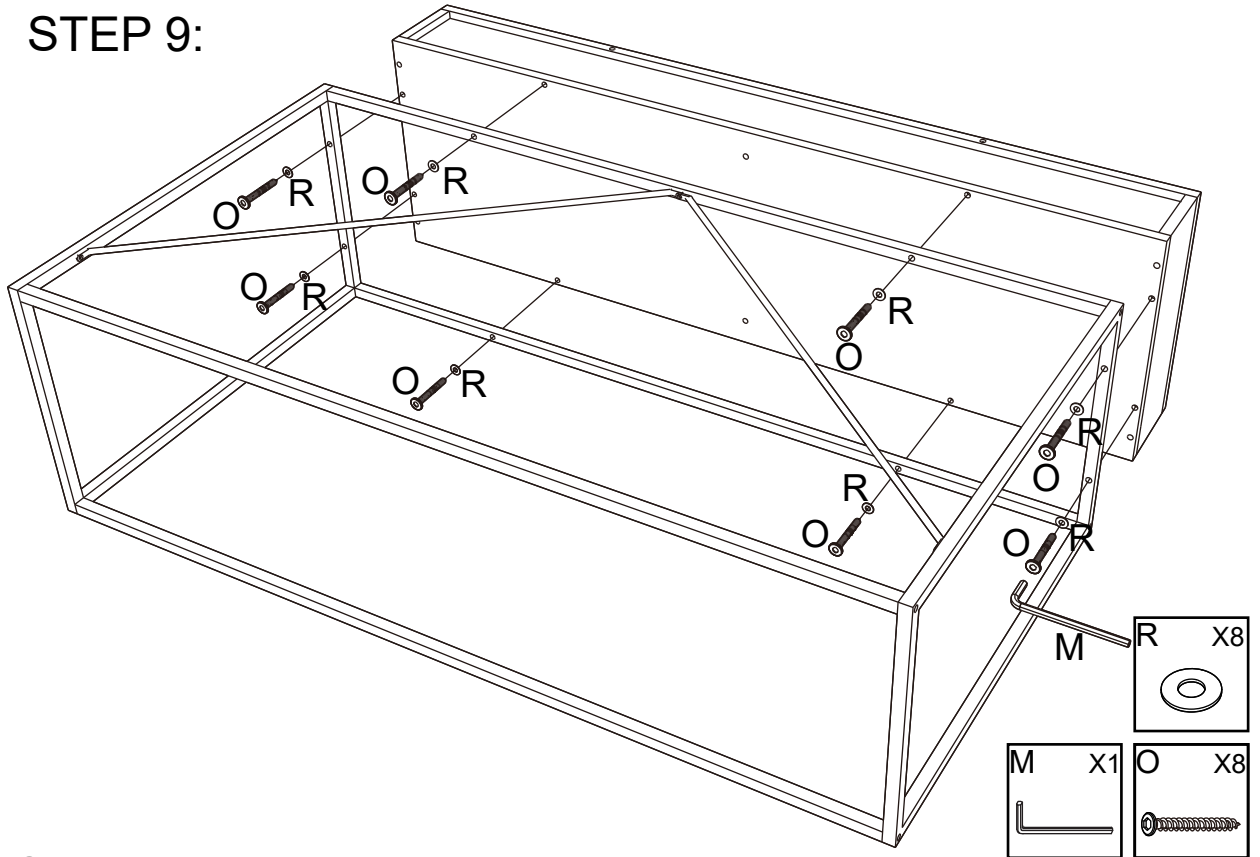
STEP 7:



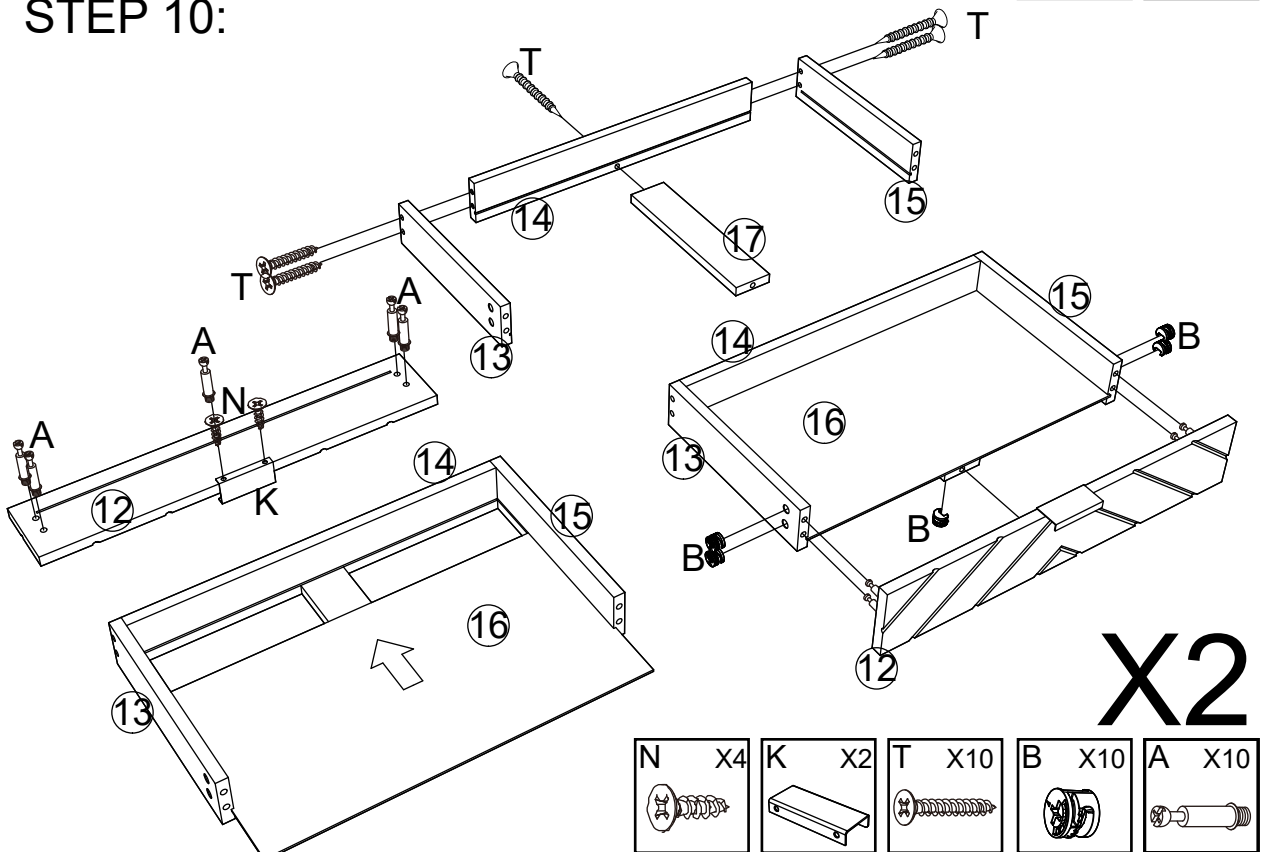
STEP 8:



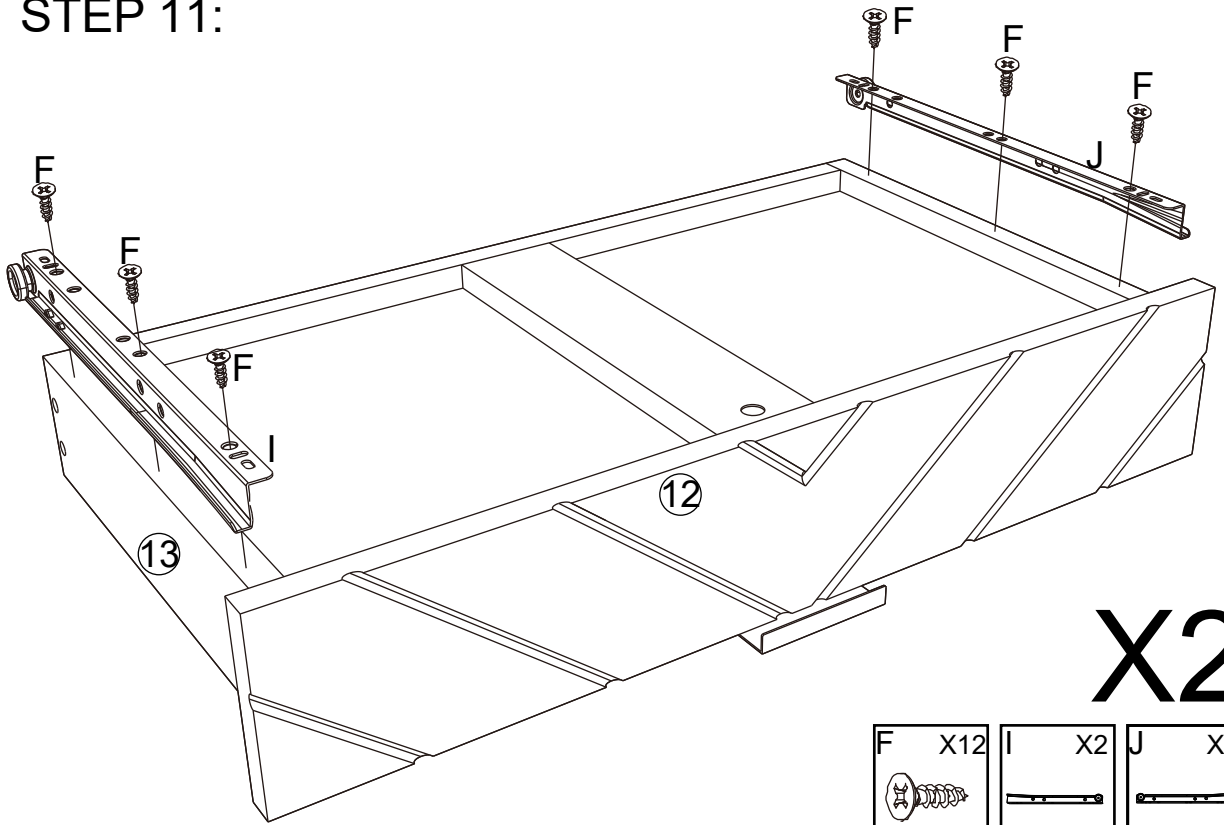
STEP 9:



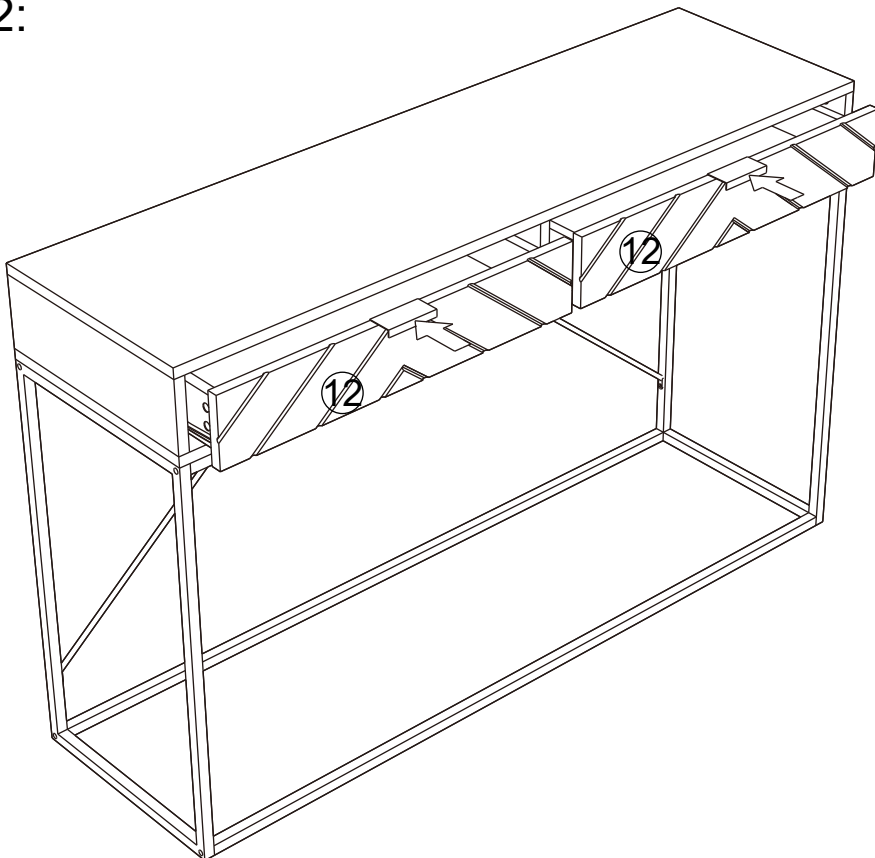
STEP 10:



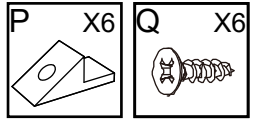
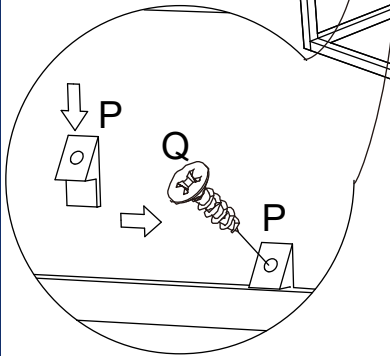
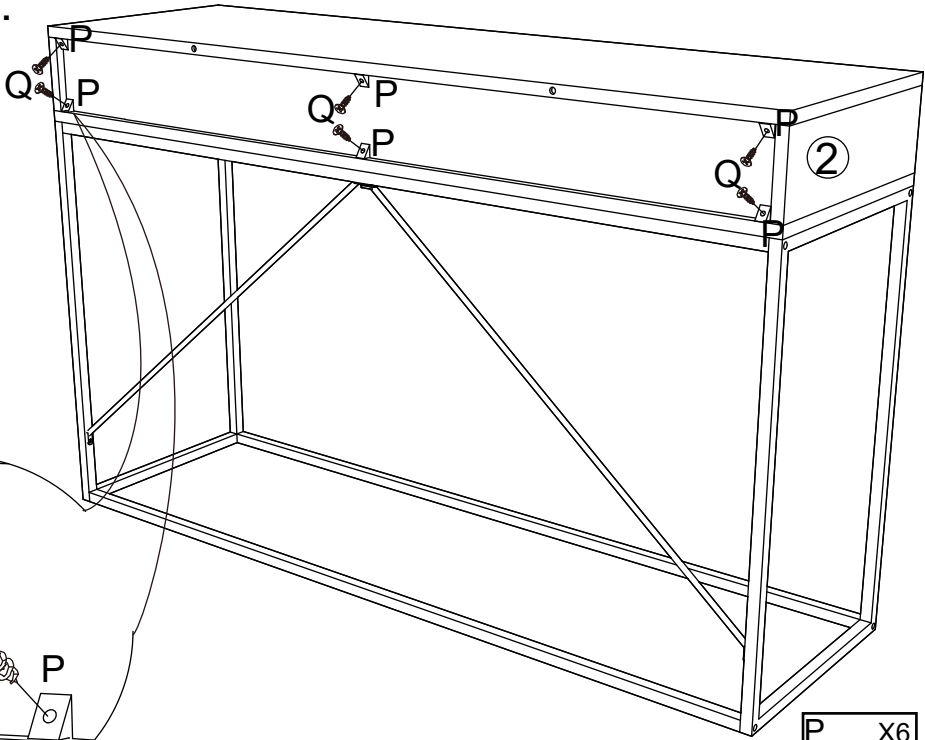
STEP 11:



STEP 12:

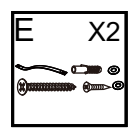
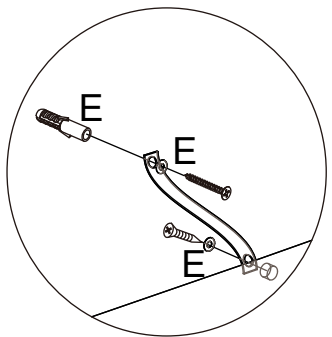
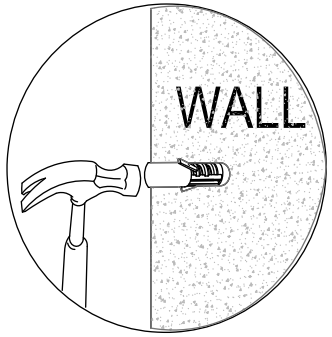
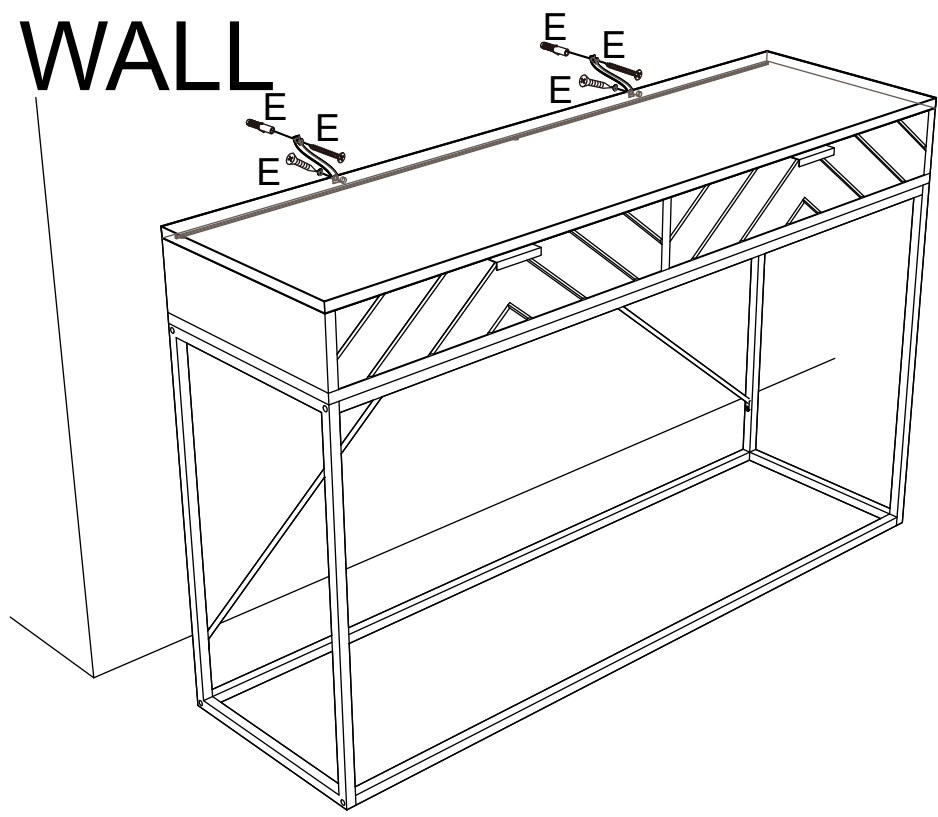


STEP 13:

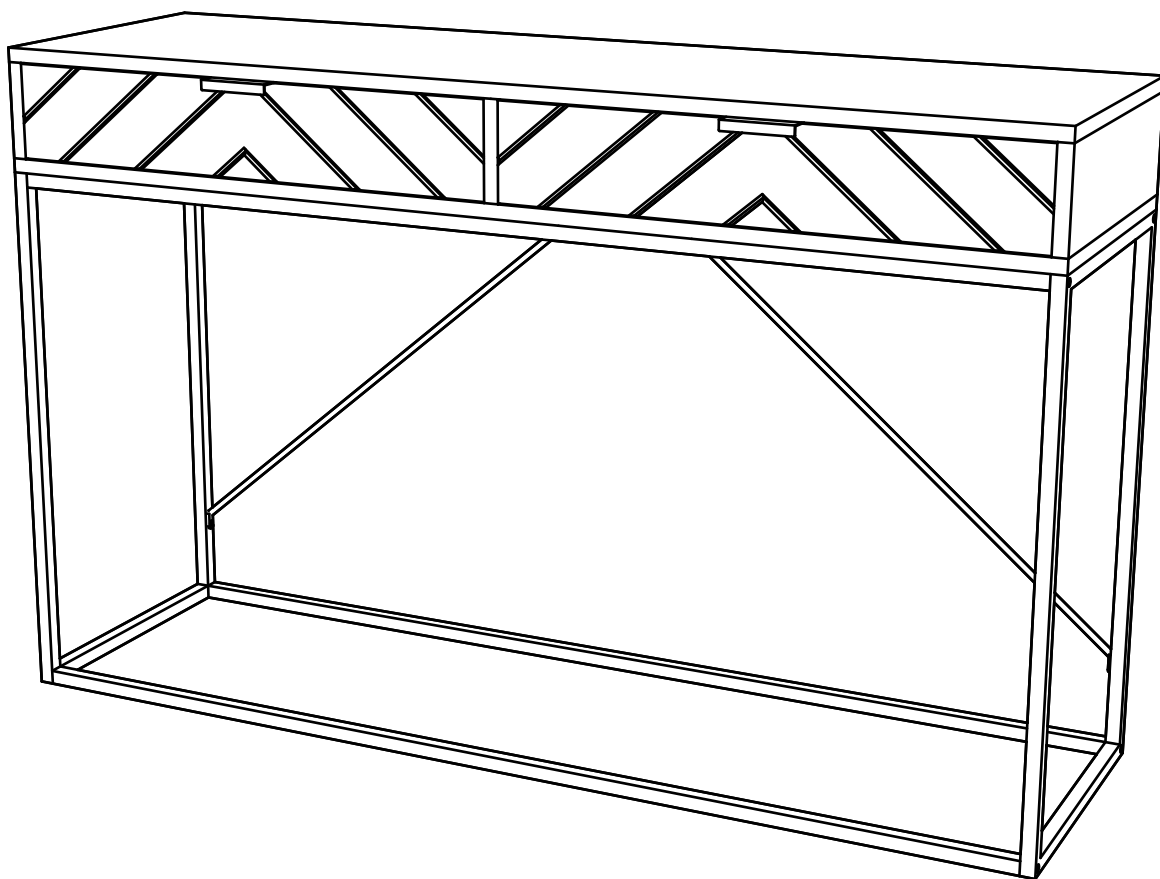


STEP 14:

WALL



ASSEMBLY IS COMPLETE



SAFETY BRACKETS INSTRUCTIONS

1. Attach one Mounting Plate to the wall with the Large Screws. Make sure to attach the Mounting Plate into a stud. If mounting into brick or masonry you will need to acquire wall anchors.
2. Attach the second Mounting Plate to the furniture frame with the Short Screws.
3. Move the furniture to its final position. Thread a Wall Strap through the both Mounting Plates and tighten until snug. Do not over tighten.
4. Make sure that the Mounting Plates are firmly attached to the wall and furniture and that the Wall Strap is snug.

HARDWARE



Anti-tilt Strap X1



SCREWS X1



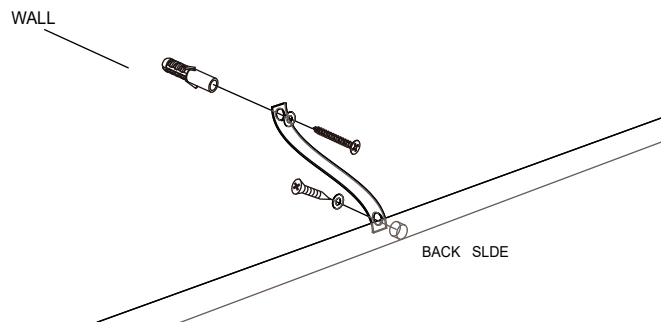
SCREWS X1



Expanded plastic pipe X1



washer X2



To protect your furniture, we suggest the following:

- Avoid placing your furniture in direct sunlight.
- Do not place furniture directly under windows.
- Do not place sharp materials (knife, fork, etc.) directly onto your furniture as sharp material may scrape and damage the finish.
- Do not place material with high temperature directly onto the surface of your furniture.
- Clean up spills quickly. Water left over a prolonged period of time may cause damage. Alcohol, perfume, nail polishes, aftershave and some medication may cause severe finish damage if not cleaned immediately.
- Use a clean, soft, dry, lint free absorbent cloth to clean your furniture. Do not use any detergent as they may contain ingredients that may react and damage the finish.

NOTE: If the above care advise is not adhered to your product warranty may become void